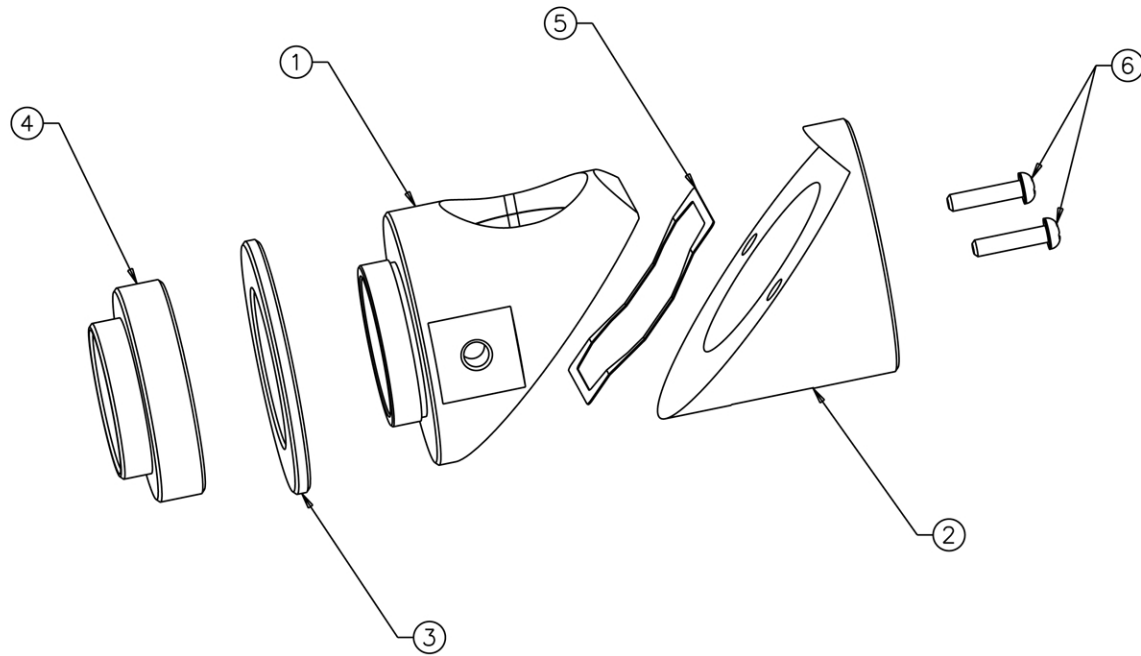

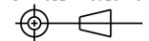


ITEM	PART DESCRIPTION	PART NO.	QTY.
1	Polarizer 22.0mm CA Entrance Cube	M-AE-C-57-B	1
2	Polarizer 22.0mm CA Exit Cube	M-AE-C-58-C	1
3	Polarizer 1.035"-40 Lock-Nut	M-AE-C-59-A	1
4	Adaptor 1.035"-40 to 1.00" Shaft	M-AE-C-60-B	1
5	NQF Cube Spring	M-AE-C-62-A	1
6	Round Head Phillips #4-40 X .50"	91773A109	2



DO NOT SCALE DRAWING UNLESS OTHERWISE SPECIFIED DIMENSIONS ARE IN INCHES: DECIMALS: .X ± .02 .XX ± .01 .XXX ± .005 ANGLE: ± 0.5° FRACTIONS: ± 1/16 FINISH: 63/√	MATERIAL: ALUMINUM & S.S.		 SEMROCK, A UNIT OF IDEX 3625 Buffalo Road, Suite 6 Rochester, NY 14624 (585) 594-7000	
	FINISH: N/A			
THIRD ANGLE PROJECTION 	APPROVALS	DATE	THIS DOCUMENT CONTAINS PROPRIETARY INFORMATION OF SEMROCK, INC. AND IS TO BE RETAINED IN CONFIDENCE. NOT TO BE REPRODUCED OR COPIED IN WHOLE OR IN PART, AND NOT TO BE USED OR INCORPORATED IN ANY MANNER, EXCEPT UNDER EXPRESSED WRITTEN AGREEMENT WITH SEMROCK, INC.	
	DRAWN	9/14/09		
REMOVE ALL BURRS AND SHARP EDGES. ALL THREADS CLASS 2A OR 2B	CHECKED	9/14/09	B	M-AE-A-04
	ENGR	9/14/09	SCALE	X: X
			SHEET	1 OF 1
			REV	A